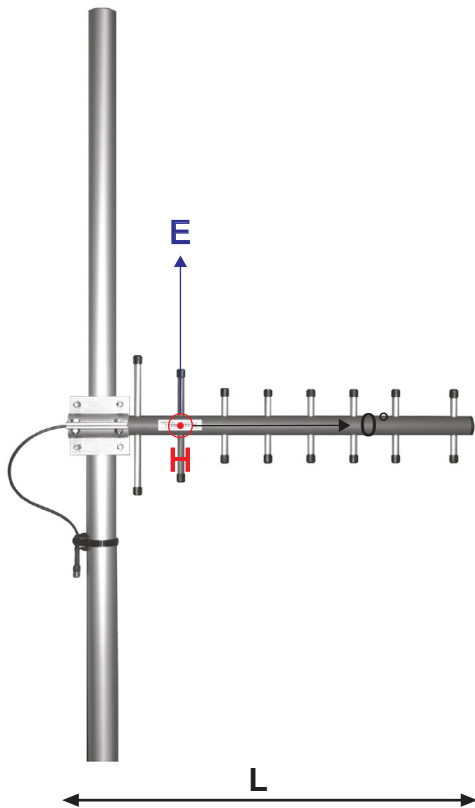


# ComAnt<sup>®</sup> Communications Antennas

## FREQUENCY INDEPENDENT DATA



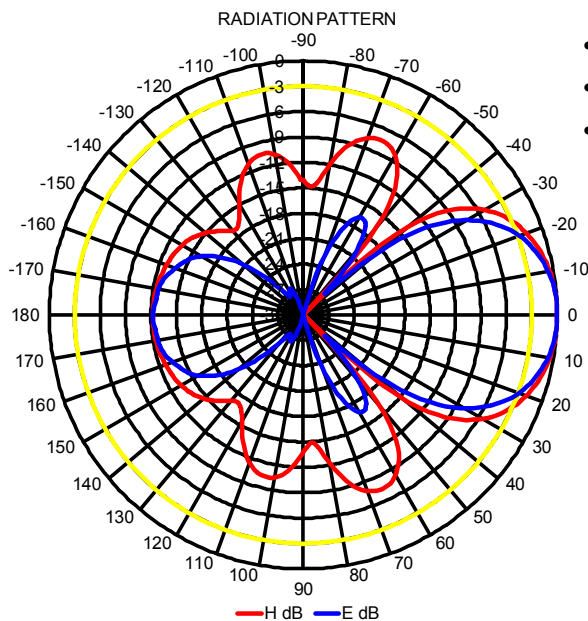
Description: directional yagi  
 Frequency: 326-353 MHz, 336-364 MHz  
 365-395 MHz, 380-410 MHz  
 405-440 MHz, 440-475 MHz,  
 830-890 MHz, 880-960 MHz

Impedance: 50 ohm  
 Gain: 11 dBi  
 H -3 dB: 48°  
 E -3 dB: 41°  
 F/B: 12 dB  
 Polarization: vertical/horizontal  
 Connector: N-/ TNC-/ 7/16-female  
 VSWR: < 1.5  
 Radome: UV resistant ABS/FG,  
 RAL 7012, PU foam filling  
 copper

Radiator:  
 Passive elements: coated aluminium  
 Attachment: Ø 35-60 mm, aluminium alloy  
 bracket, stainless steel V-  
 bolts and self-locking nuts

Lightning protection: DC-short circuited  
 Temperature: -40°C - +80°C  
 IP: 67

- combination of durability, light weight and low wind load
- radome enclosed radiator
- IP67 proof construction
- all electromechanics moulded inside of closed cell PU foam
- DC shorted feed point
- integrated impedance compensation
- integrated RF choke



**RoHS**  
Compliant

**CompleTech**  
ComAnt<sup>®</sup>-antennas by CompleTech, Finland

**CAY+++ DIRECTIONAL YAGI**