

ComAnt[®] Communications Antennas

FREQUENCY INDEPENDENT DATA

Description: omnidirectional ground plane
 Frequency: 336-364 MHz $f_0 \pm 1\%$,

401-409 MHz, 406-414 MHz
 416-424 MHz, 426-434 MHz,
 431-439 MHz, 436-444 MHz,
 441-449 MHz, 446-454 MHz,
 456-464 MHz, 465-475 MHz,
 860-880 MHz

Impedance: 50 ohm

Gain: 6 dBi

H -3 dB:

34°

E -3 dB:

F/B: 0 dB

Polarization: vertical

Connector: N-female/TNC-female

VSWR: < 1.5

Radome: UV resistant FG, white /
 PE, black,
 PU foam filling

Radiator: copper

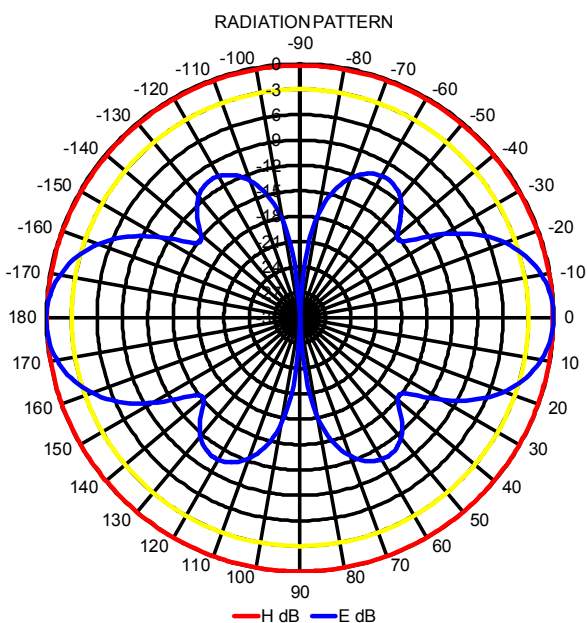
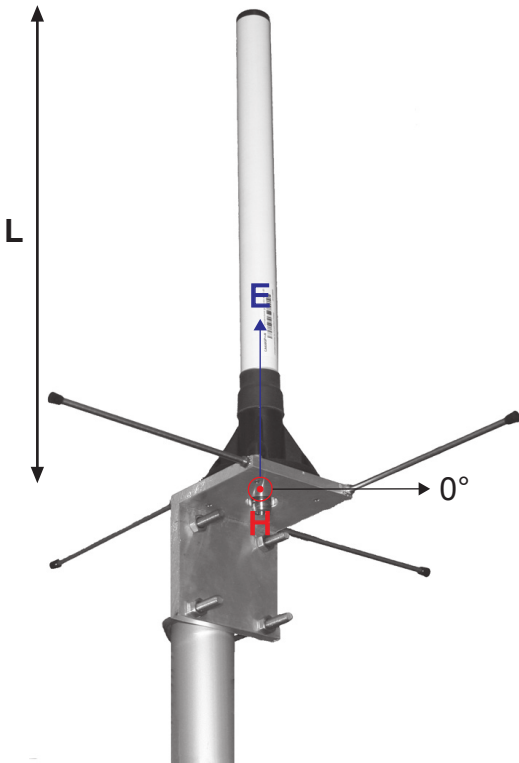
Attachment: Ø 35-60 mm, aluminium alloy
 bracket, stainless steel V-
 bolts and self-locking nuts

Lightning

protection: DC-short circuited, -grounded

Temperature: -40°C - +80°C

IP: 67



- combination of durability, light weight and low wind load
- radome enclosed radiator
- IP67 proof construction
- all electromechanics moulded inside of closed cell PU foam
- UV protected glass fibre radome
- DC shorted and grounded feed point
- integrated impedance compensation



RoHS
Compliant

CompleTech
ComAnt[®]-antennas by CompleTech, Finland

CAGP+ OMNIDIRECTIONAL GROUND PLANE