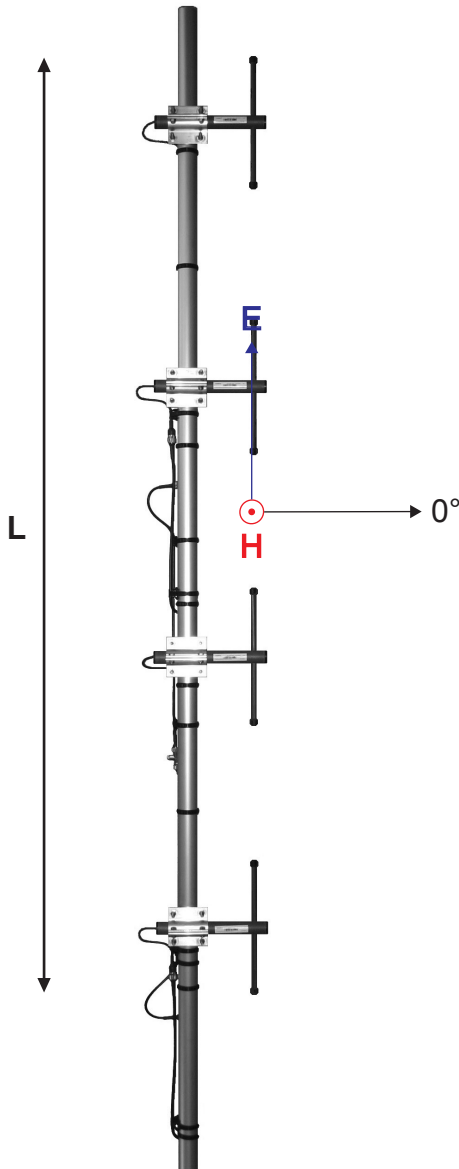


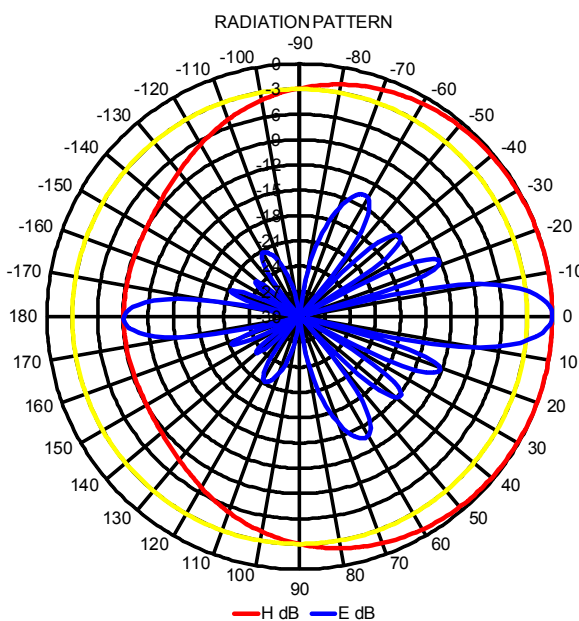
ComAnt[®] Communications Antennas



FREQUENCY INDEPENDENT DATA

Description:	offset pattern collinear, field adjustable pattern, optional beam tilting
Frequency:	135-145 MHz, 144-156 MHz, 154-166 MHz, 163-177 MHz, 221-239 MHz, 326-353 MHz, 336-364 MHz, 365-395 MHz, 380-410 MHz, 405-440 MHz, 440-475 MHz, 830-890 MHz, 880-960 MHz
Impedance:	50 ohm
Gain:	11 dBi
H -3 dB:	182°
E -3 dB:	13°
F/B:	4-10 dB, depending on mounting
Polarization:	vertical
Connector:	N-female/TNC-female
VSWR:	< 1.5
Radome:	UV resistant ABS/FG, RAL 7012, PU foam filling
Radiator:	copper
Attachment:	Ø 35-60 mm, aluminium alloy bracket, stainless steel V- bolts and self-locking nuts
Lightning protection:	DC-short circuited
Temperature:	-40°C - +80°C
IP:	67

- combination of durability, light weight and low wind load
- radome enclosed radiator
- IP67 proof construction
- all electromechanics moulded inside of closed cell PU foam
- DC shorted feed point
- integrated impedance compensation
- integrated RF choke



CAC4 OFFSET PATTERN COLLINEAR



RoHS
Compliant

CompleTech
ComAnt[®]-antennas by CompleTech, Finland