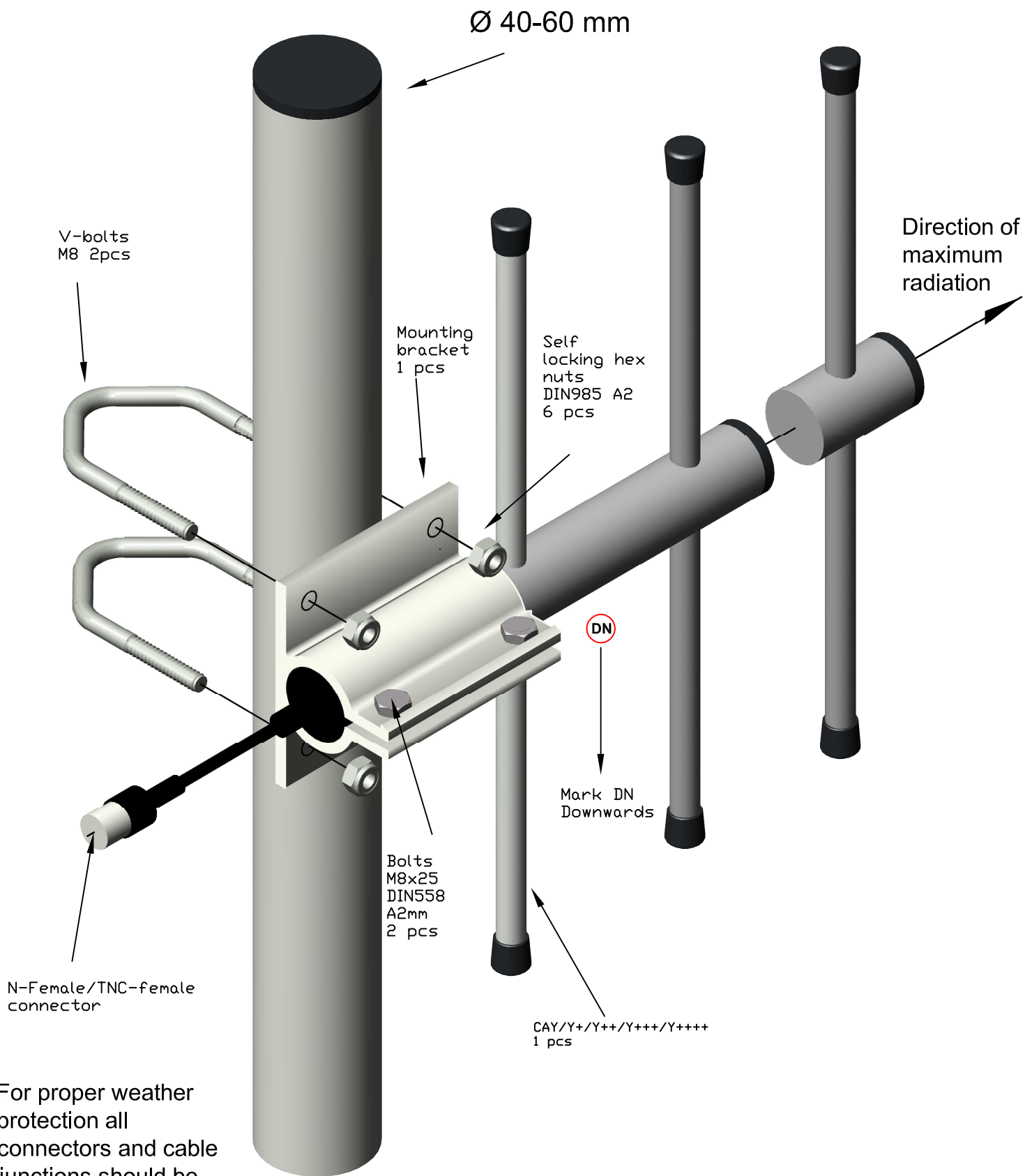


# ComAnt CAY/CAY+/CAY++/CAY+++/CAy++++ Installation instruction



For proper weather protection all connectors and cable junctions should be covered by self-amalgamating tape or equivalent