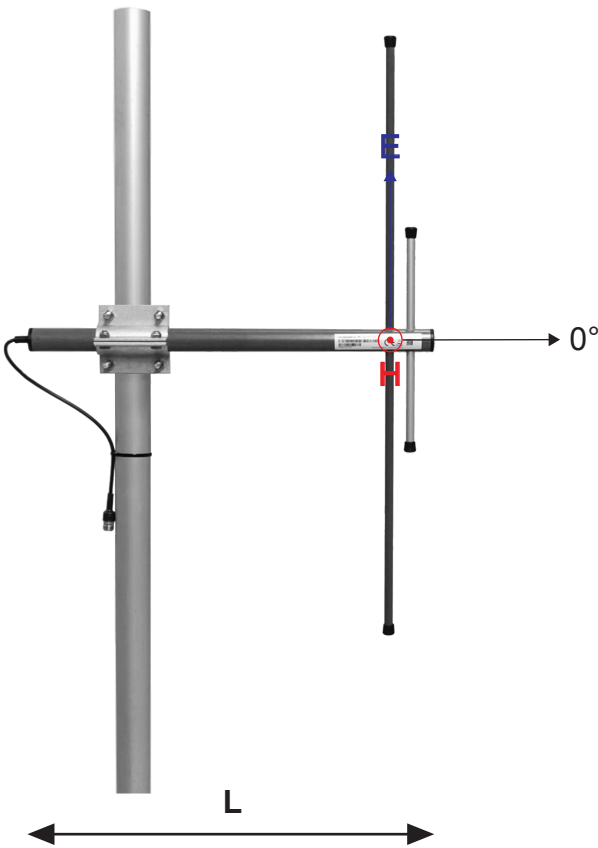


# ComAnt<sup>®</sup> Communications Antennas

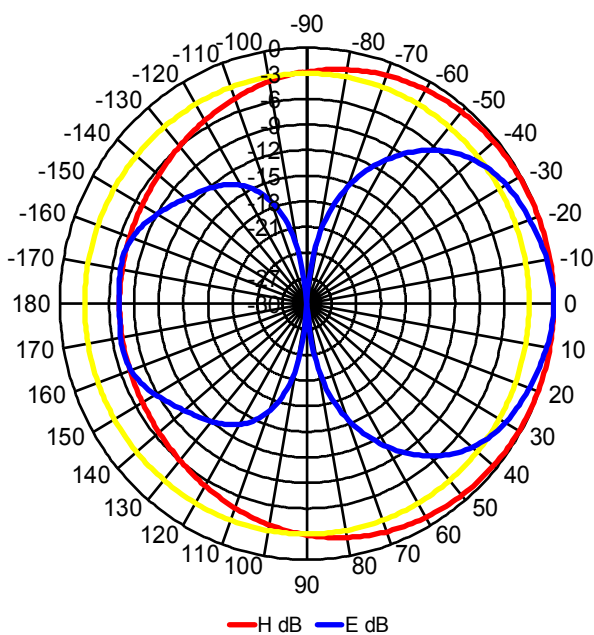
## FREQUENCY INDEPENDENT DATA

Description: offset pattern dual band dipole  
 Frequency: 50-300/300-3000 MHz  $f_0 \pm 2-4\%$   
 Impedance: 50 ohm  
 Gain: 5/5 dBi  
 H -3 dB: 184/244°, typical  
 E -3 dB: 73/50°, typical  
 F/B: 7/5 dB, typical  
 Polarization: vertical/horizontal  
 Connector: N-/ TNC-/ 7/16-female  
 VSWR: < 1.5  
 Radome: UV resistant ABS/FG,  
 RAL 7012, PU foam filling  
 Radiator: copper/aluminium  
 Attachment: Ø 35-60 mm, aluminium alloy  
 bracket, stainless steel V-  
 bolts and self locking nuts  
 Temperature: -40°C - +80°C  
 IP: 67

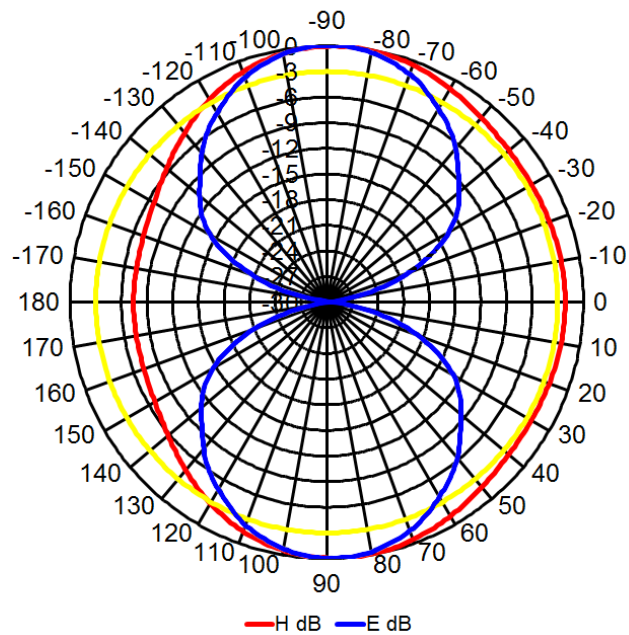
- dual band operation
- combination of durability, light weight and low wind load
- radome enclosed radiator
- IP67 proof construction
- all electromechanics moulded inside of closed cell PU foam
- integrated RF choke



RADIATION PATTERN VHF



RADIATION PATTERN UHF



**RoHS**  
Compliant

**CompleTech**  
ComAnt<sup>®</sup>-antennas by CompleTech, Finland

**CAVHF/UHFD OFFSET PATTERN DUAL BAND DIPOLE**