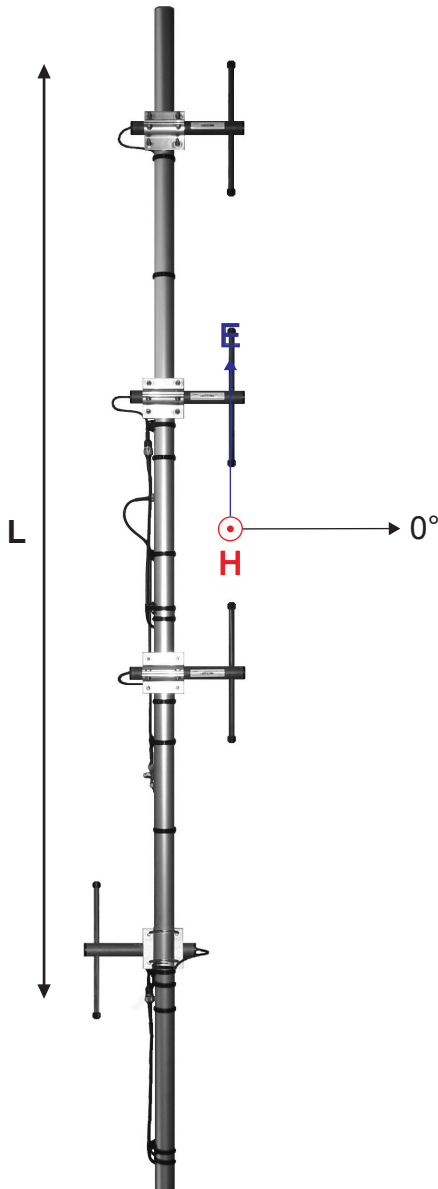


ComAnt[®] Communications Antennas



FREQUENCY INDEPENDENT DATA

Description: cardioid pattern notch,
field adjustable pattern,
optional beam tilting

Frequency: 326-353 MHz, 336-364 MHz,
365-395 MHz, 380-410 MHz,
405-440 MHz, 440-475 MHz

Impedance: 50 ohm

Gain: 8 dBi

H -3 dB: 229°

E -3 dB: 23°

F/B: 30 dB

Polarization: vertical

Connector: N-female/TNC-female

VSWR: < 1.5

Radome: UV resistant ABS/FG,
RAL 7012, PU foam filling

Radiator: copper

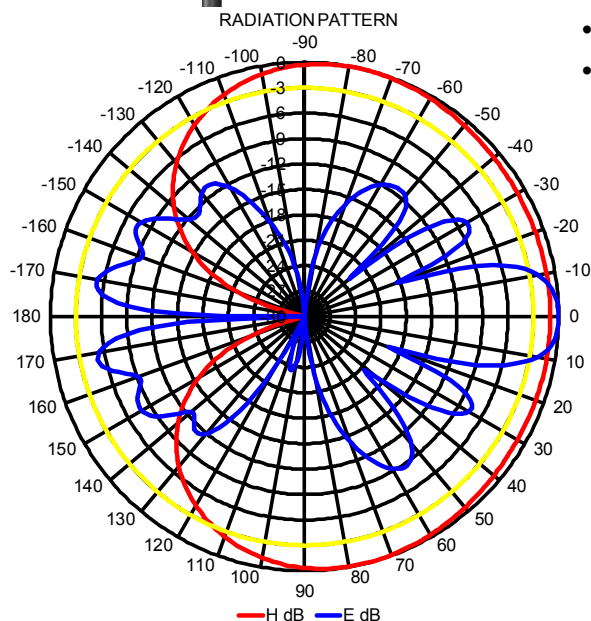
Attachment: Ø 35-60 mm, aluminium alloy
bracket, stainless steel V-
bolts and self-locking nuts

Lightning protection: DC-short circuited

Temperature: -40°C - +80°C

IP: 67

- combination of durability, light weight and low wind load
- radome enclosed radiator
- IP67 proof construction
- all electromechanics moulded inside of closed cell PU foam
- DC shorted feed point
- integrated impedance compensation
- integrated RF choke



CAN4 CARDIOID PATTERN NOTCH



RoHS
Compliant

CompleTech
ComAnt[®]-antennas by CompleTech, Finland