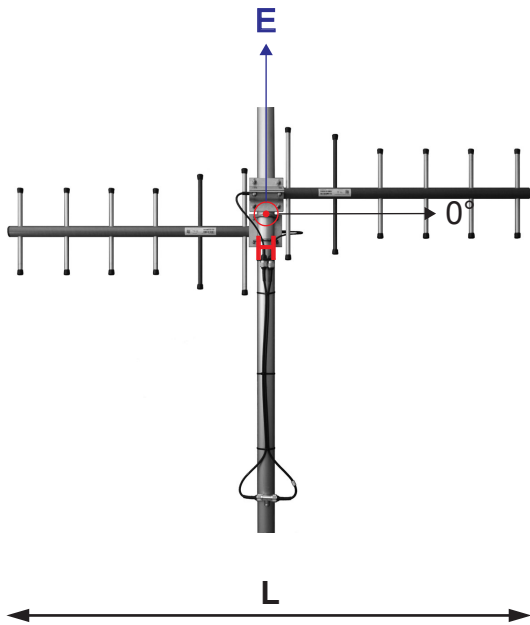


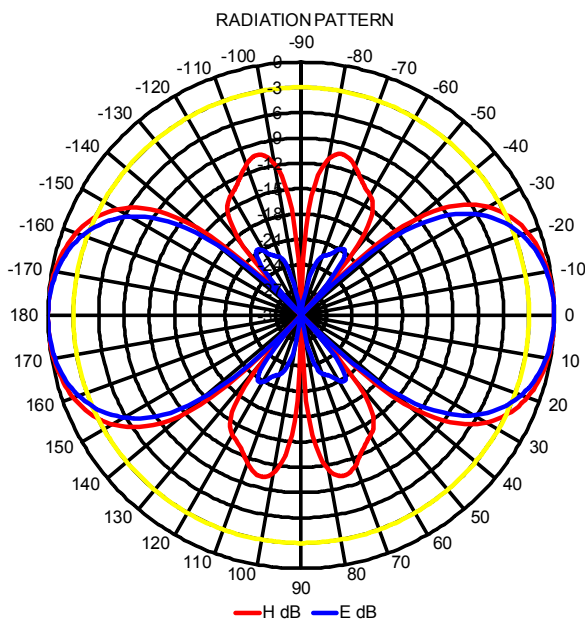
ComAnt[®] Communications Antennas



FREQUENCY INDEPENDENT DATA

Description:	directional end fire yagi array, field adjustable pattern
Frequency:	326-353 MHz, 336-364 MHz, 365-395 MHz, 380-410 MHz, 405-440 MHz, 440-475 MHz
Impedance:	50 ohm
Gain:	9 dBi
H -3 dB:	52°
E -3 dB:	46°
F/B:	0 dB
Polarization:	vertical/horizontal
Connector:	N-female/TNC-female
VSWR:	< 1.5
Radome:	UV resistant ABS/FG, RAL 7012, PU foam filling
Radiator:	copper
Passive elements:	coated aluminium
Attachment:	Ø 35-60 mm, aluminium alloy bracket, stainless steel V-bolts and self-locking nuts
Lightning protection:	DC-short circuited
Temperature:	-40°C - +80°C
IP:	67

- combination of durability, light weight and low wind load
- radome enclosed radiator
- IP67 proof construction
- all electromechanics moulded inside of closed cell PU foam
- DC shorted feed point
- integrated impedance compensation
- integrated RF choke



RoHS
Compliant

CompleTech
ComAnt[®]-antennas by CompleTech, Finland

CAF2++ DIRECTIONAL END FIRE YAGI ARRAY