

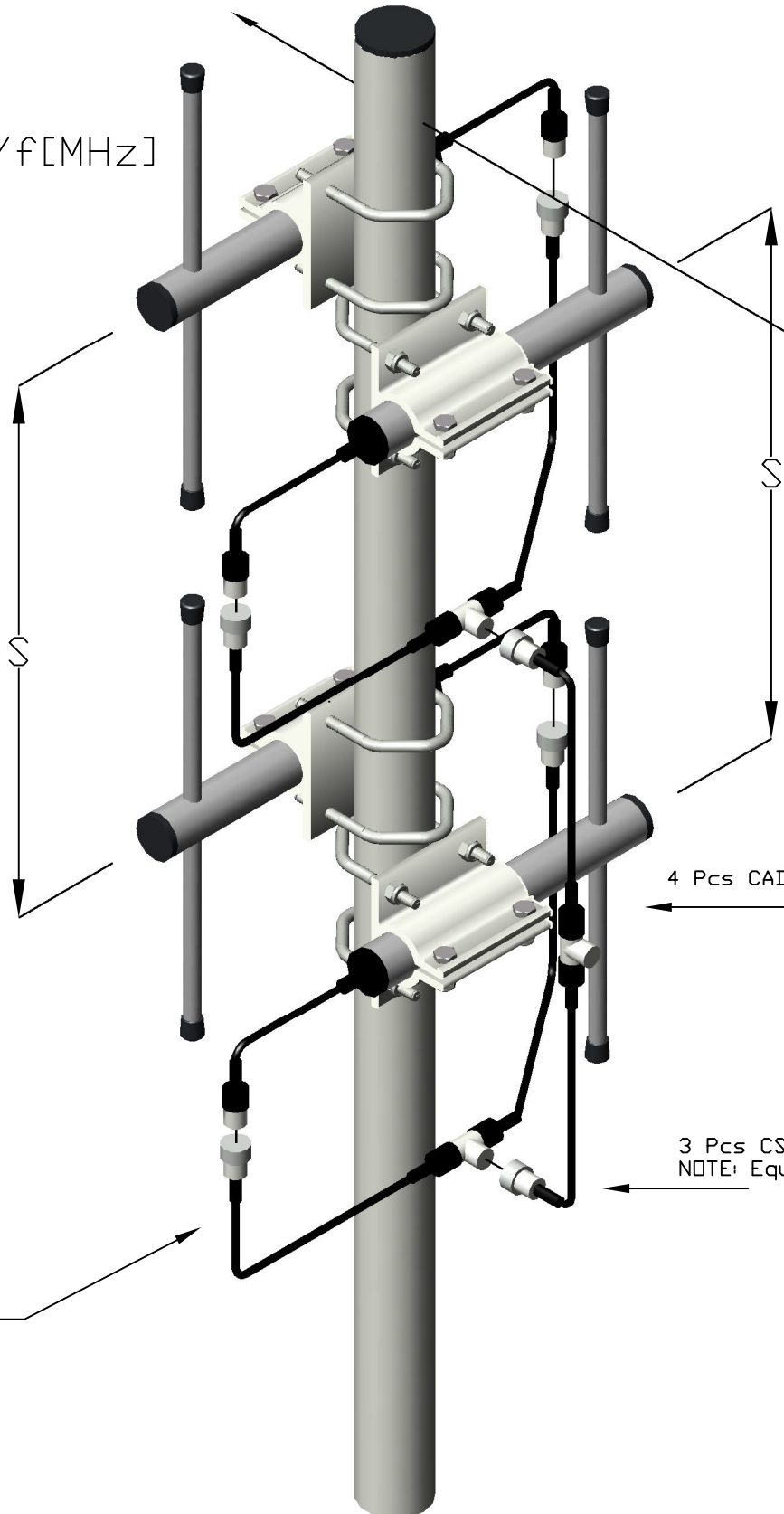
ComAnt CAB4 Application Installation

THE MAST SHOULD OVERLOOK THE DIPOLE ENDS

Direction of maximum radiation

$$S \text{ [m]} = 300 / f \text{ [MHz]}$$

Direction of maximum radiation



Splitter harness shall be tied to the mast after the installation

For proper weather protection all connectors and cable junctions should be covered by self-amalgamating tape or equivalent