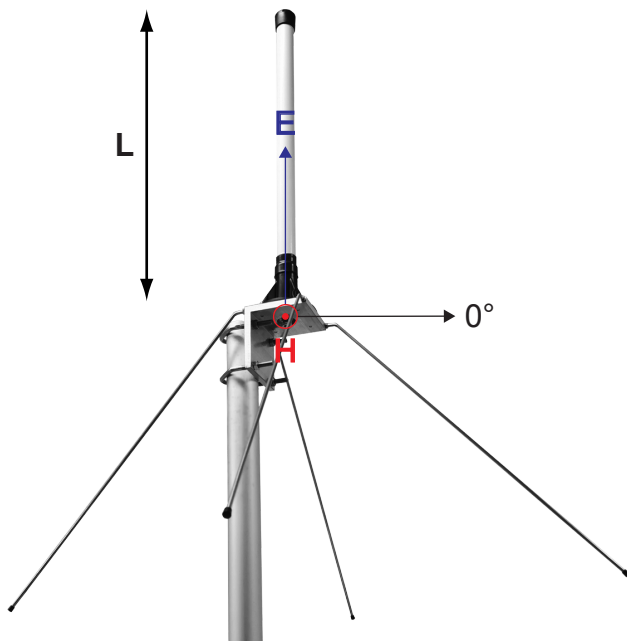


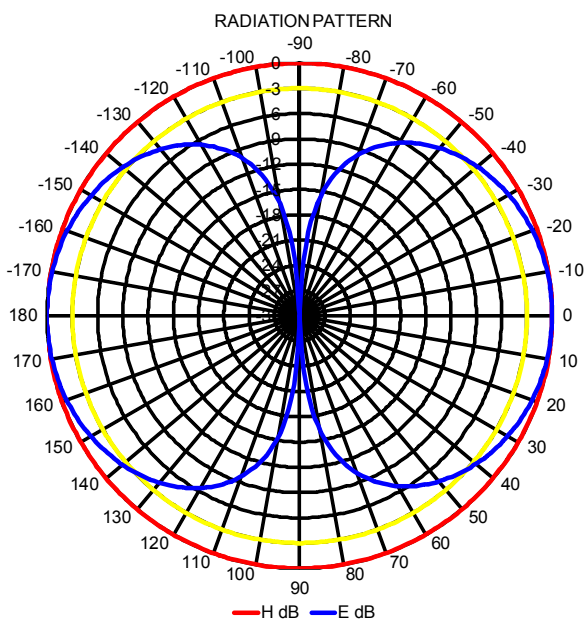
# ComAnt<sup>®</sup> Communications Antennas

## FREQUENCY INDEPENDENT DATA



Description:	omnidirectional ground plane
Frequency:	117.975 - 137.000 MHz
Impedance:	50 ohm
Gain:	2 dBi
H -3 dB:	
E -3 dB:	87°
F/B:	0 dB
Polarization:	vertical
Connector:	N-female/TNC-female
VSWR:	< 2.0
Radome:	UV resistant FG, white / PP, black PU foam filling
Radiator:	copper
Attachment:	Ø 35-60 mm, aluminium alloy bracket, stainless steel V- bolts and self-locking nuts
Lightning protection:	DC-short circuited, -grounded
Temperature:	-40°C - +80°C
IP:	67

- combination of durability, light weight and low wind load
- radome enclosed radiator
- IP67 proof construction
- all electromechanics moulded inside of closed cell PU foam
- UV protected glass fibre radome
- DC shorted and grounded feed point
- integrated impedance compensation



**RoHS**  
Compliant

**CompleTech**  
ComAnt<sup>®</sup>-antennas by CompleTech, Finland

OMNIDIRECTIONAL GROUND PLANE

CAAIRGP