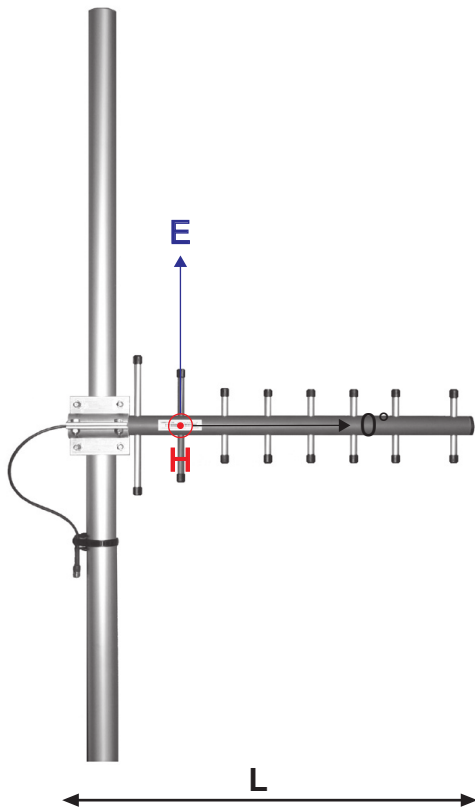


ComAnt[®] Communications Antennas

FREQUENCY INDEPENDENT DATA



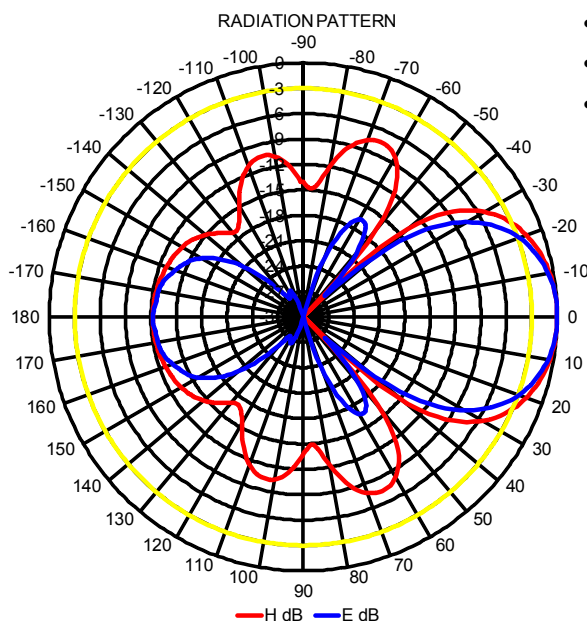
Description: directional yagi
 Frequency: 326-353 MHz, 336-364 MHz
 365-395 MHz, 380-410 MHz
 405-440 MHz, 440-475 MHz,
 830-890 MHz, 880-960 MHz

Impedance: 50 ohm
 Gain: 11 dBi
 H -3 dB: 48°
 E -3 dB: 41°
 F/B: 12 dB
 Polarization: vertical/horizontal
 Connector: N-female/TNC-female
 VSWR: < 1.5
 Radome: UV resistant ABS/FG,
 RAL 7012, PU foam filling
 copper

Radiator: Passive
 elements: coated aluminium
 Attachment: Ø 35-60 mm, aluminium alloy
 bracket, stainless steel V-
 bolts and self-locking nuts

Lightning protection: DC-short circuited
 Temperature: -40°C - +80°C
 IP: 67

- combination of durability, light weight and low wind load
- radome enclosed radiator
- IP67 proof construction
- all electromechanics moulded inside of closed cell PU foam
- DC shorted feed point
- integrated impedance compensation
- integrated RF choke



RoHS
Compliant

CompleTech
ComAnt[®]-antennas by CompleTech, Finland

CAY+++ DIRECTIONAL YAGI