

ComAnt[®] Communications Antennas

FREQUENCY INDEPENDENT DATA

Description: omnidirectional coaxial dipole
 Frequency: 326-353 MHz, 336-364 MHz,
 380-400 MHz, 405-440 MHz,
 440-475 MHz, 830-890 MHz,
 880-960 MHz

Impedance: 50 ohm
 Gain: 2 dBi

H -3 dB: 81°
 E -3 dB: 81°

F/B: 0 dB

Polarization: vertical

Connector: N-female/TNC-female

VSWR: < 1.5

Radome: UV resistant ABS/FG,
 RAL 7012, PU foam filling

Radiator: copper

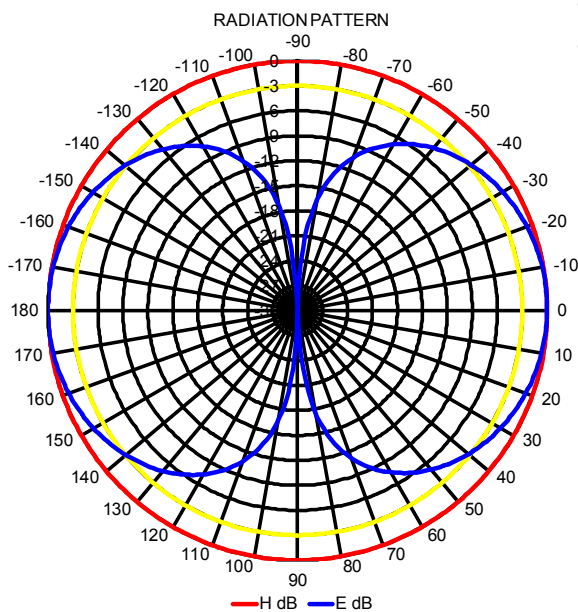
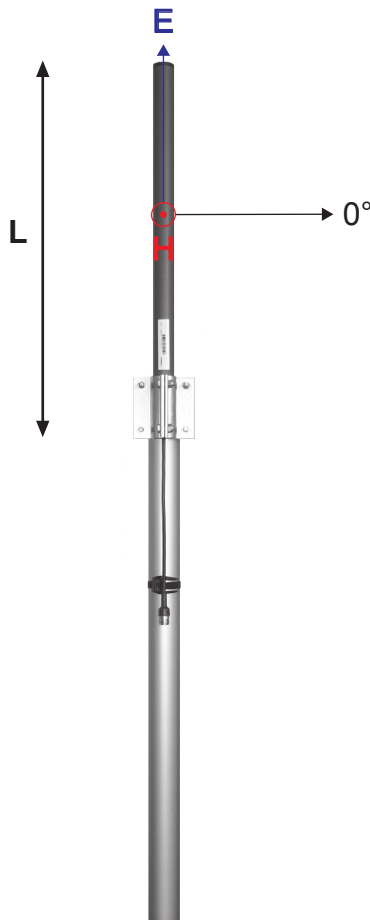
Attachment: Ø 35-60 mm, aluminium alloy
 bracket, stainless steel V-
 bolts and self-locking nuts

Lightning
 protection: DC-short circuited

Temperature: -40°C - +80°C

IP: 67

- combination of durability, light weight and low wind load
- radome enclosed radiator
- IP67 proof construction
- all electromechanics moulded inside of closed cell PU foam
- DC shorted feed point
- integrated impedance compensation
- integrated RF choke



RoHS
Compliant

CompleTech
ComAnt[®]-antennas by CompleTech, Finland

CAO OMNIDIRECTIONAL COAXIAL DIPOLE